

Pulsar WPGG panel fan



A motor used, front position of the propeller and its shape allow for generating high pressure of air. A specially designed chamber for the controller allows a fan easy connection to the electrical mains. In the PULSAR series fans, the timer and hygrostat functions are additionally enriched with the option enabling the start delay (2 minutes).

WPGG series fans are equipped with grey glass panels, adding elegance and style to the rooms they are installed.

The fans are equipped with a directional propeller base optimizing the airflow stream and increasing the efficiency of its exchange.

The product package also includes a non-return valve with rigid flaps. Its task is to prevent the effect of a back draught.






Main features:

- generates high air pressure
- rigid non-return valve made of ABS included
- ABS plastic
- ball bearings
- IP24
- maximum operating temperature 40°C
- 7 years warranty

7
7 YEARS
WARRANTY

Ø100		Ø110		Ø125	
29 dB	82 m ³ /h	29 dB	110 m ³ /h	37 dB	170 m ³ /h
9 W	40 Pa	9 W	56 Pa	17 W	55 Pa

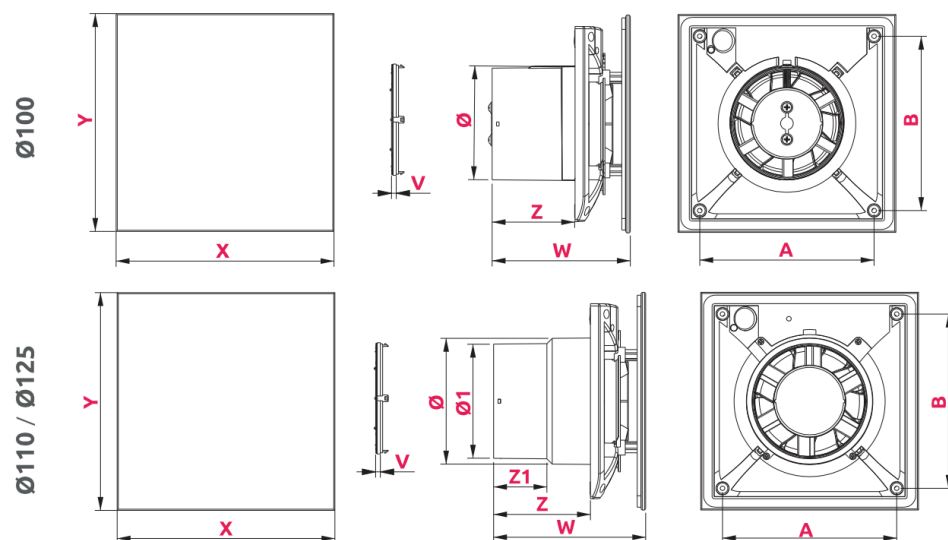


	Terminal block	∨
	Timer (start delay)	∨
	Timer (switch off delay)	∨
	Humidity sensor + timer	∨
	Backdraft valve	∨

INDEX						
ø100	WPG100Z	WPGG100Z	●			●
	WPG100ZT	WPGG100ZT		●	●	●
	WPG100ZH	WPGG100ZH		●	●	●
ø110	WPG110Z	WPGG110Z	●			●
	WPG110ZT	WPGG110ZT		●	●	●
	WPG110ZH	WPGG110ZH		●	●	●
ø125	WPG125Z	WPGG125Z	●			●
	WPG125ZT	WPGG125ZT		●	●	●
	WPG125ZH	WPGG125ZH		●	●	●

Zamontowanie zaworu zwrotnego ogranicza przepływ powietrza o ok. 30 m³/h.
Installing a non-return valve limits the air flow by 30 m³/h.

Dimensions



	Ø	Ø1	A	B	X	Y	W	Z	Z1	V
WPG100 / WPGG100	100	x	152	152	190	190	121	72	x	4
WPG110 / WPGG110	110	100	152	152	190	190	133	85	46	4
WPG125 / WPGG125	125	120	152	152	190	190	133	85	46	4

To indicate a model in a specific color, add the letter designation of a given color to the index:

SZ - grey SZ