

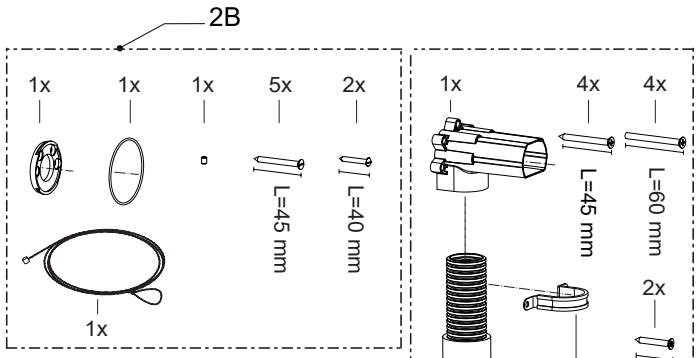
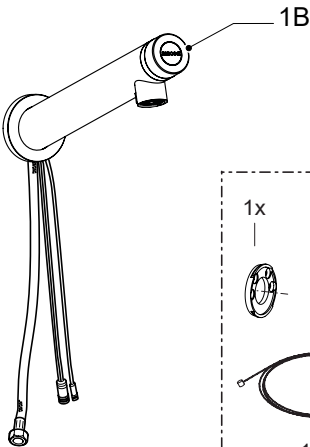
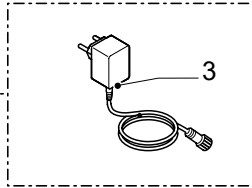
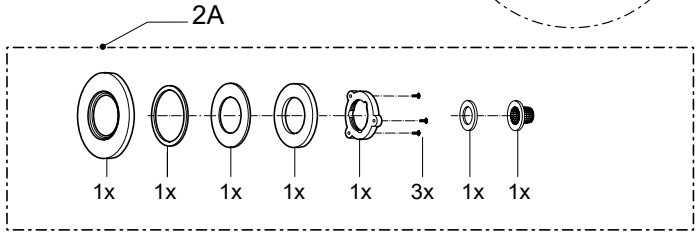
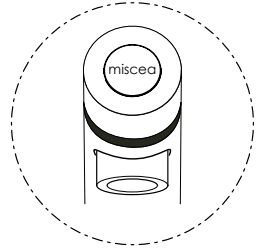
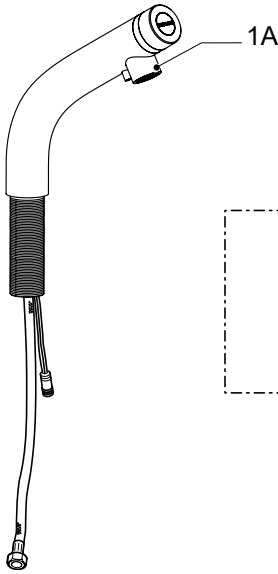


## Instruction manual

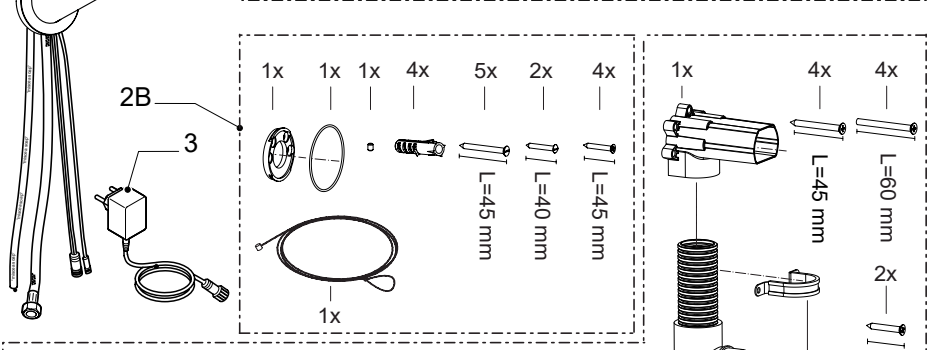
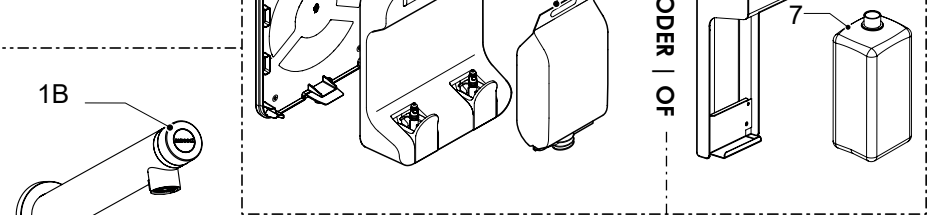
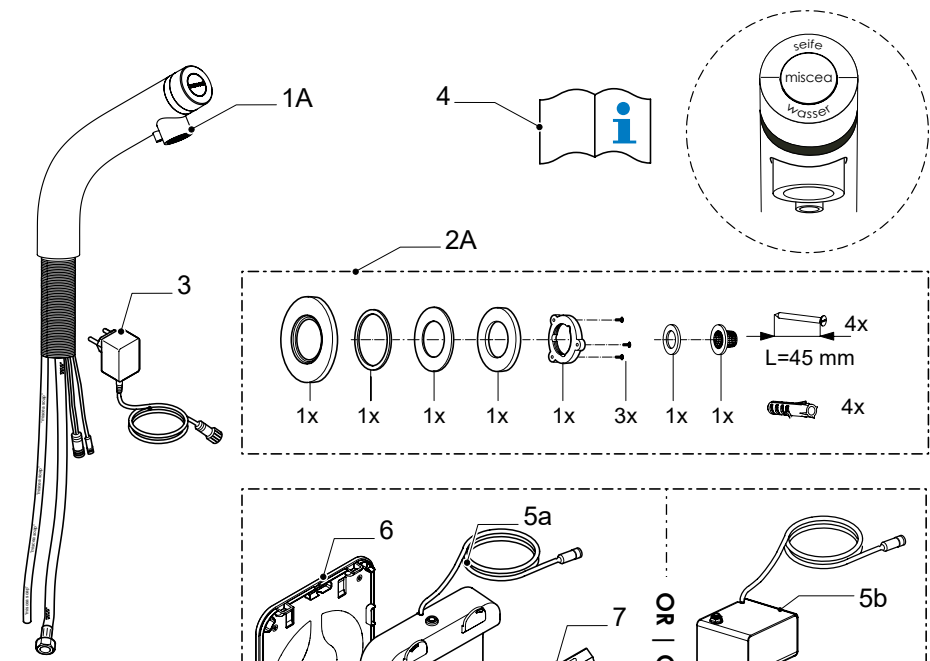


EN ...15 - 36

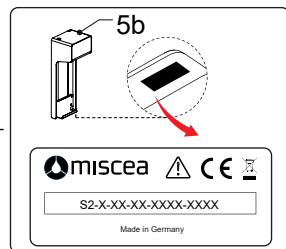
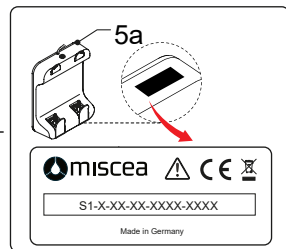
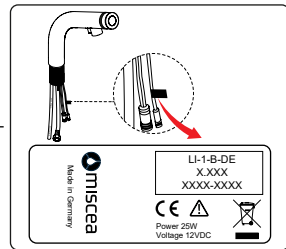
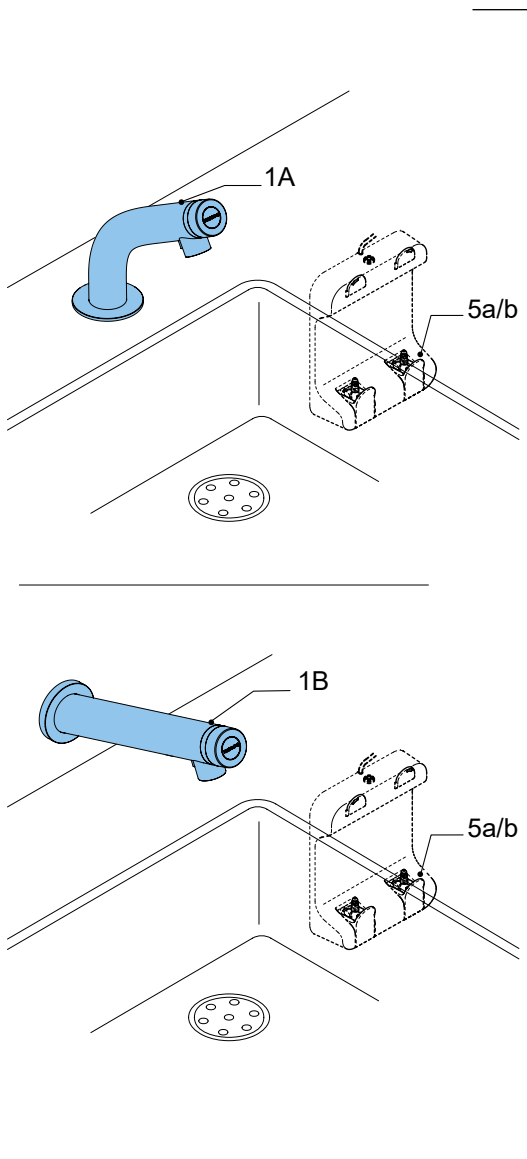
LIGHT

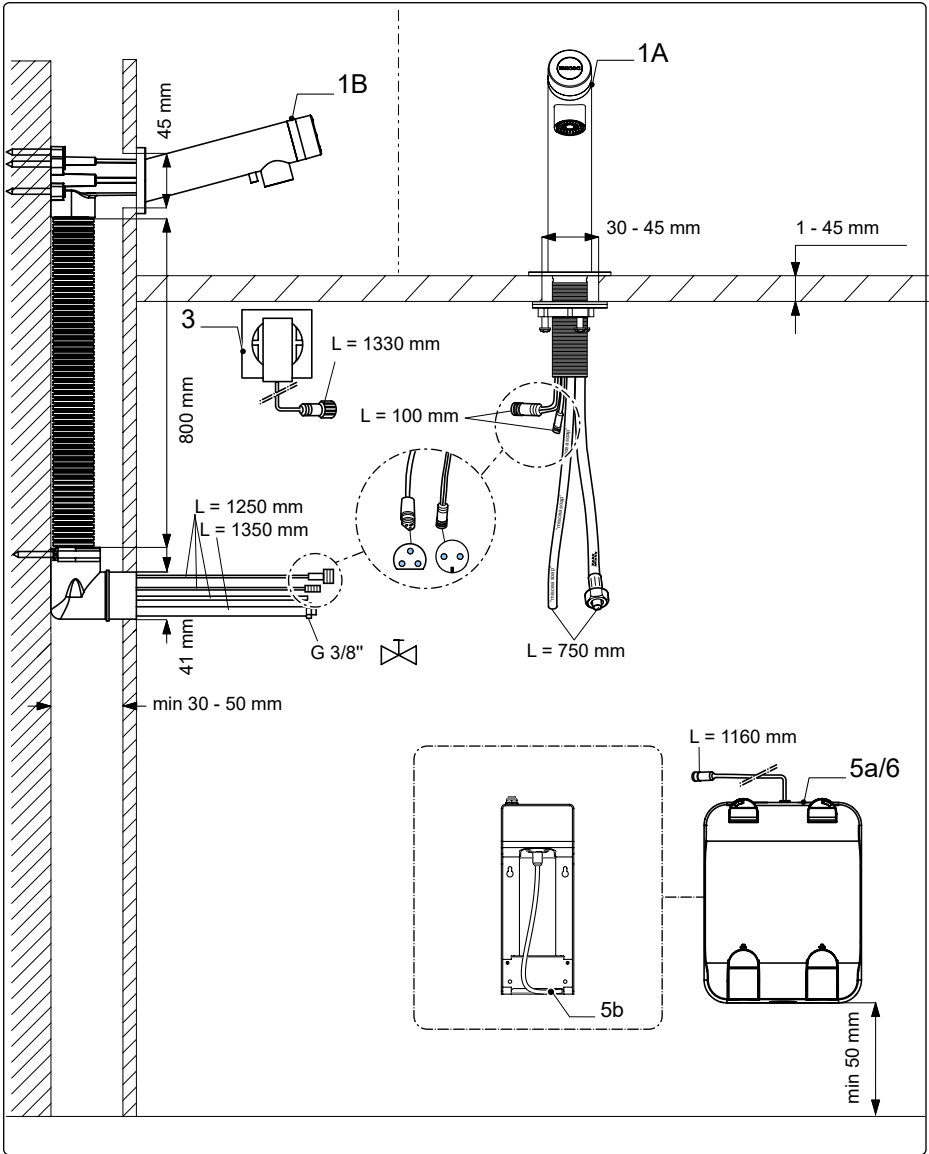


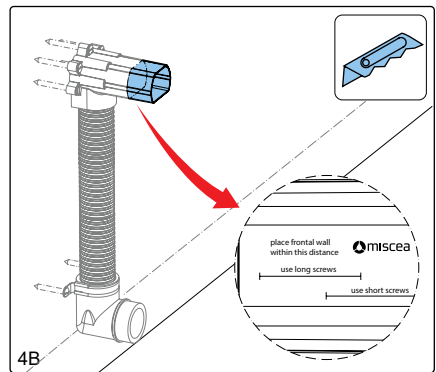
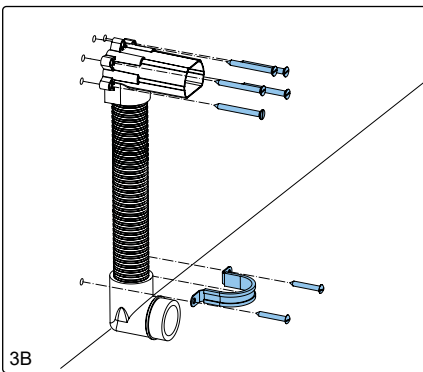
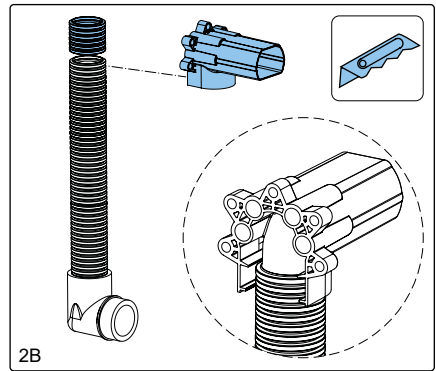
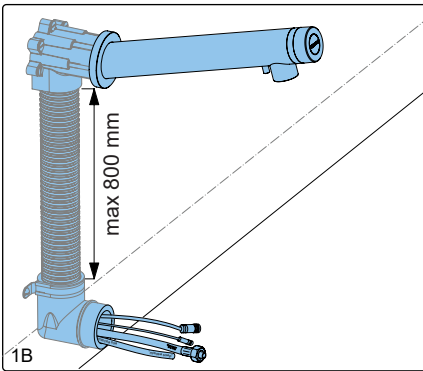
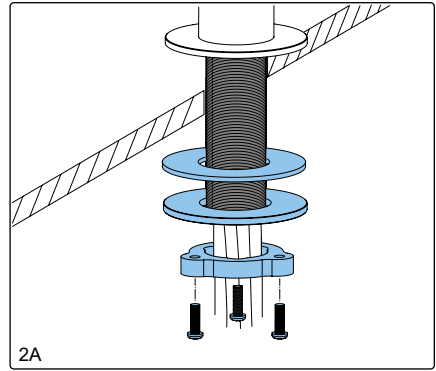
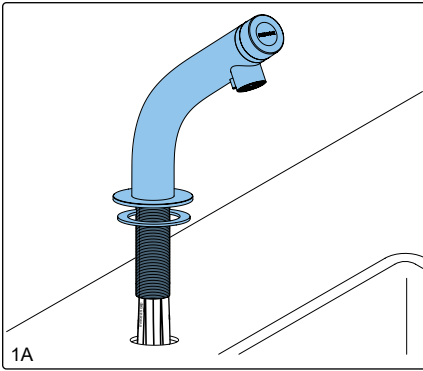
EN | Must be ordered separately with article number: S02043001  
 DE | Muss separat bestellt werden mit Artikelnummer: S02043001  
 NL | Moet apart besteld worden met artikelnummer: S02043001



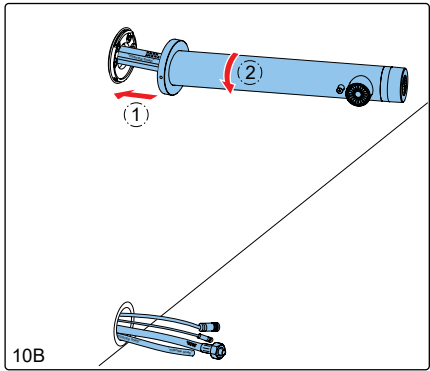
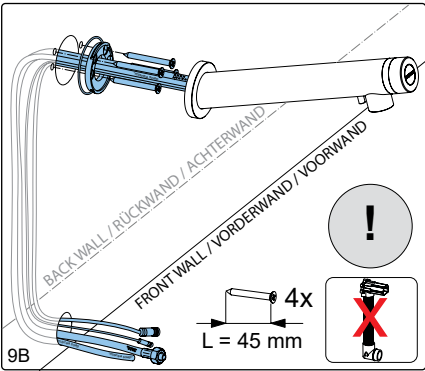
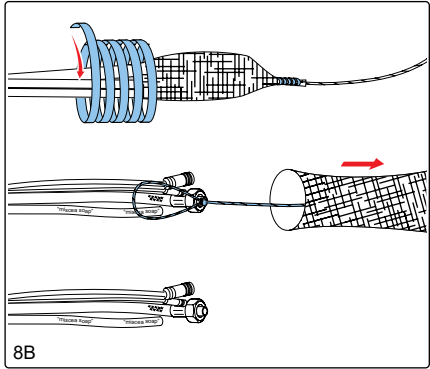
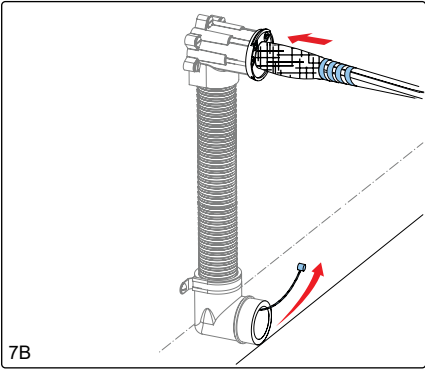
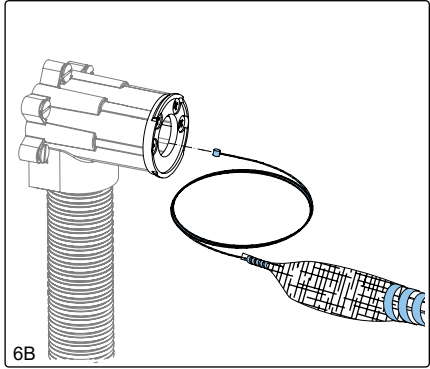
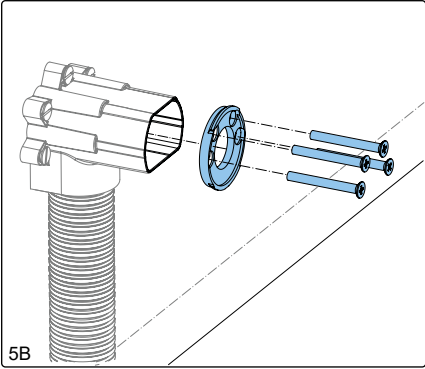
EN | Must be ordered separately with article number: S02043001  
 DE | Muss separat bestellt werden mit Artikelnummer: S02043001  
 NL | Moet apart besteld worden met artikelnummer: S02043001

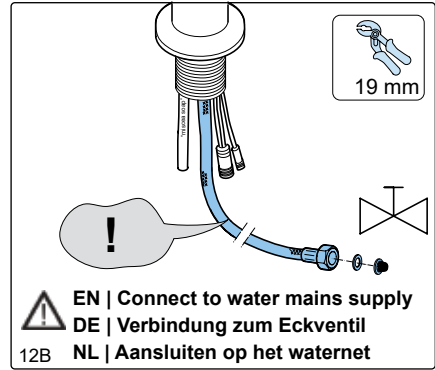
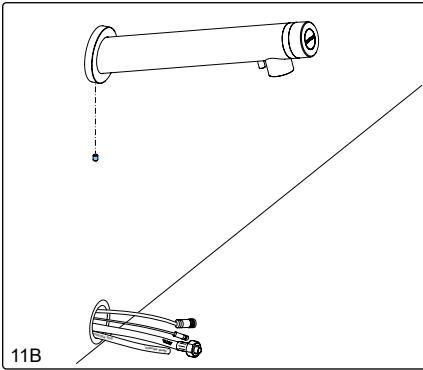






E01 - E04



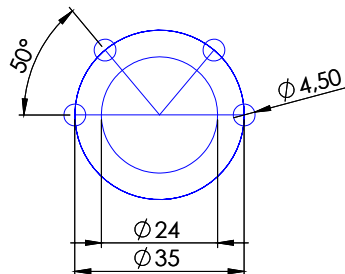
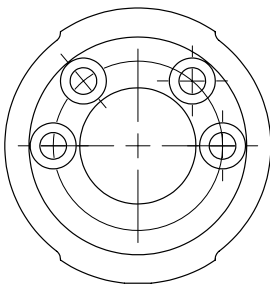


**EN |** When the optional concealed mounting element for miscea wall mount faucets is not used, please use this drilling template to create the necessary screw holes in the wall for attaching the wall mount faucet.

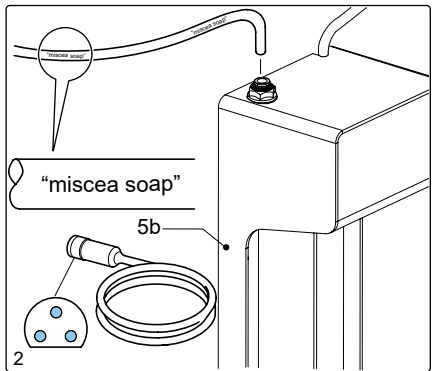
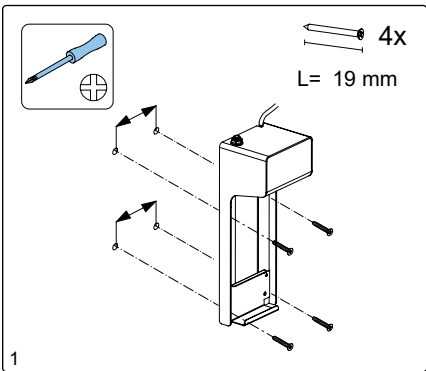
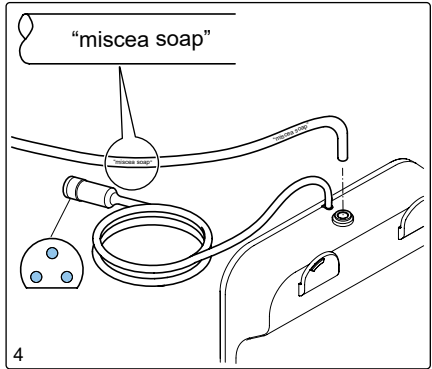
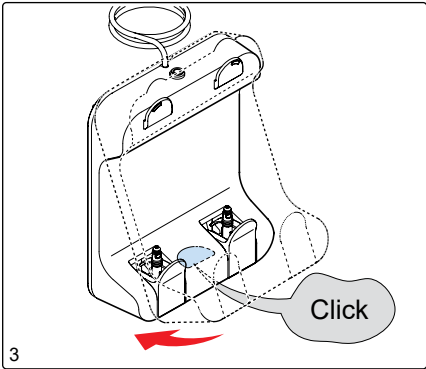
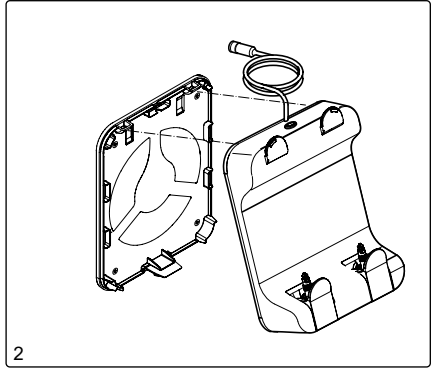
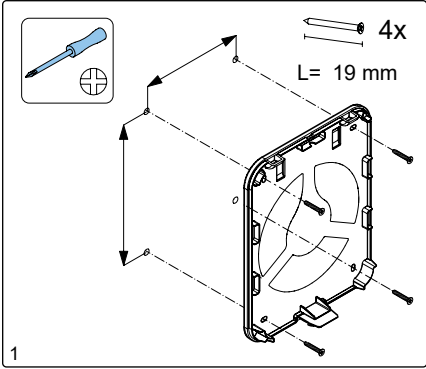
Please note: Drawing is not to scale

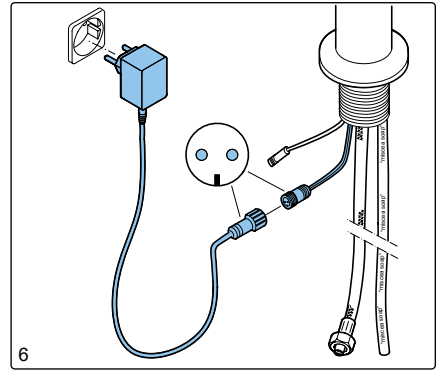
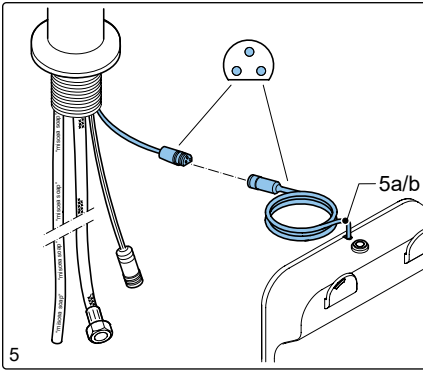
**DE |** Wenn die optionale Leerrohr-Einheit für miscea Wandarmaturen nicht verwendet wird, verwenden Sie bitte diese Bohrschablone, um die notwendigen Schraubenlöcher in der Wand für die Befestigung der Wandarmatur zu erstellen. Bitte beachten Sie, dass die Zeichnung nicht maßstabsgetreu ist.

**NL |** Indien de kraan zonder de wandconstructie direct aan de muur wordt bevestigd, dienen gaten te worden geboord op de in het boorsjabloon aangegeven plekken. Let op: De tekening is NIET op schaal.

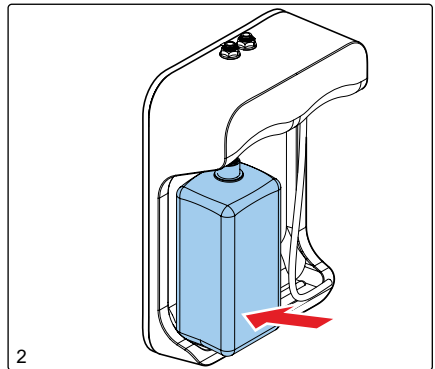
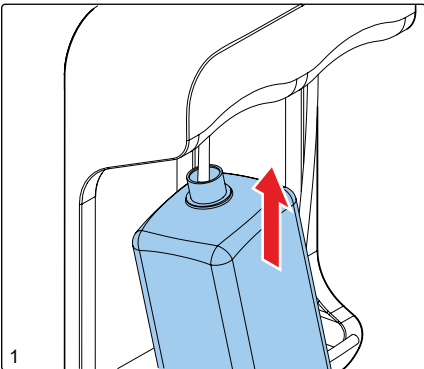
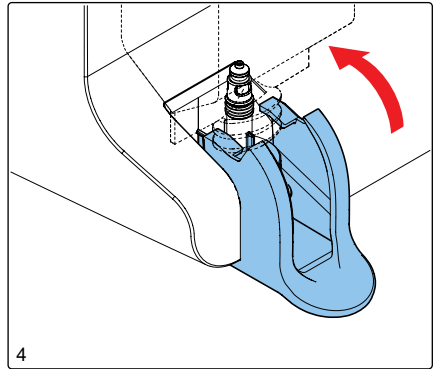
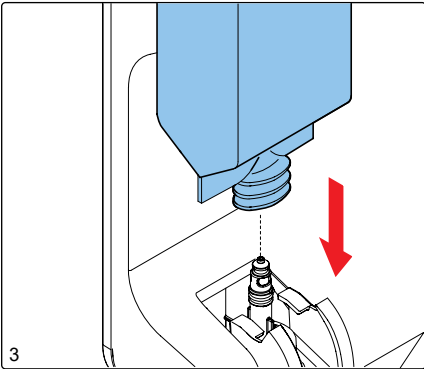
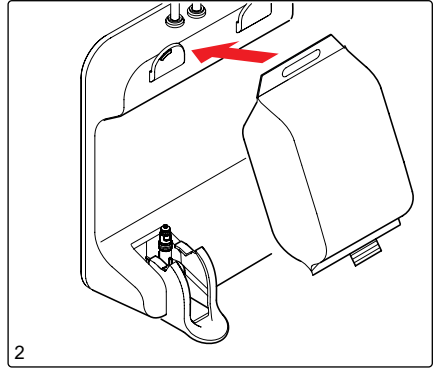
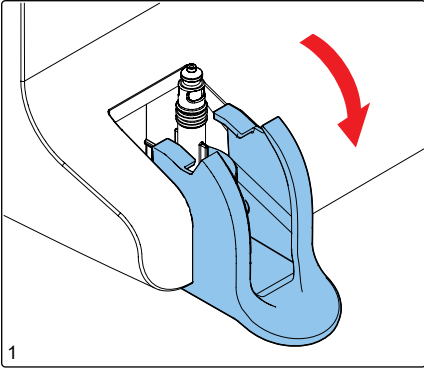




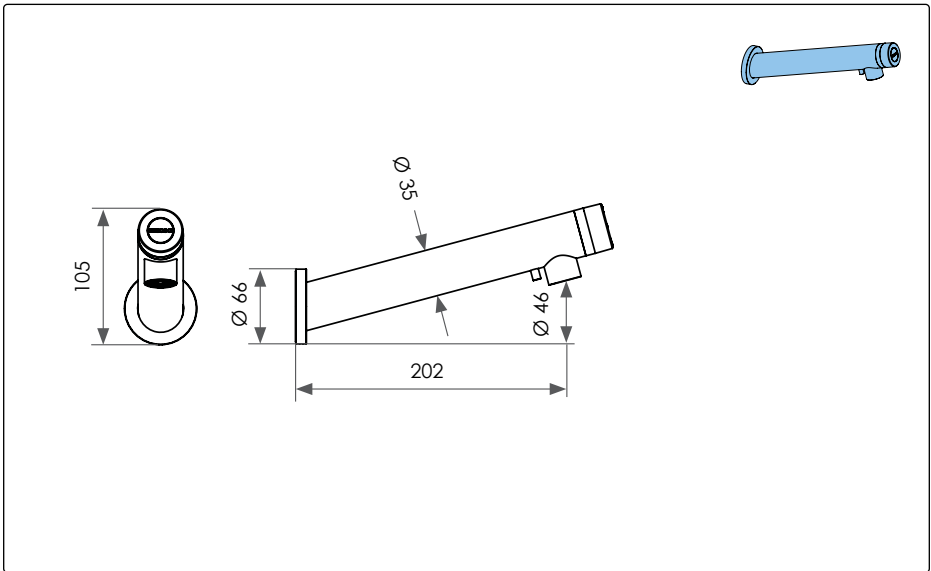
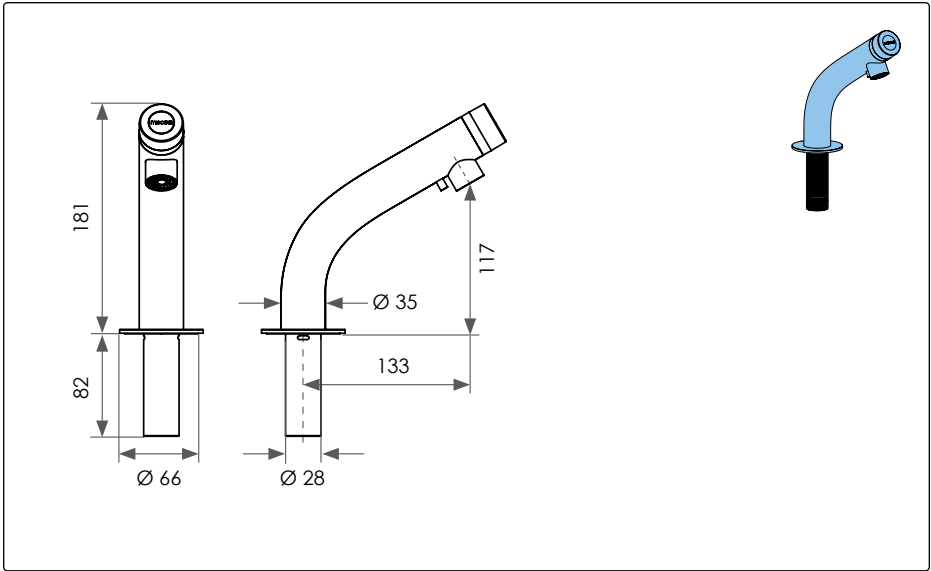




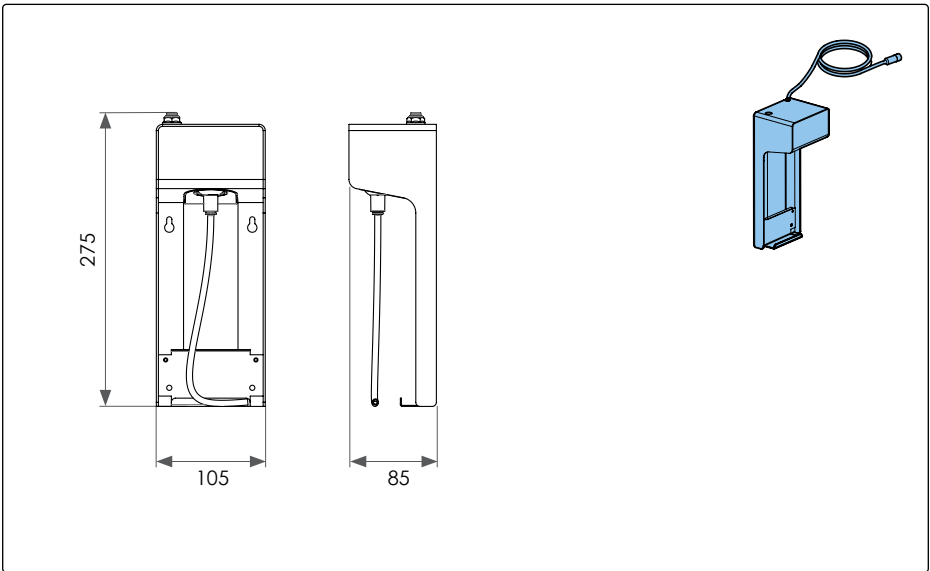
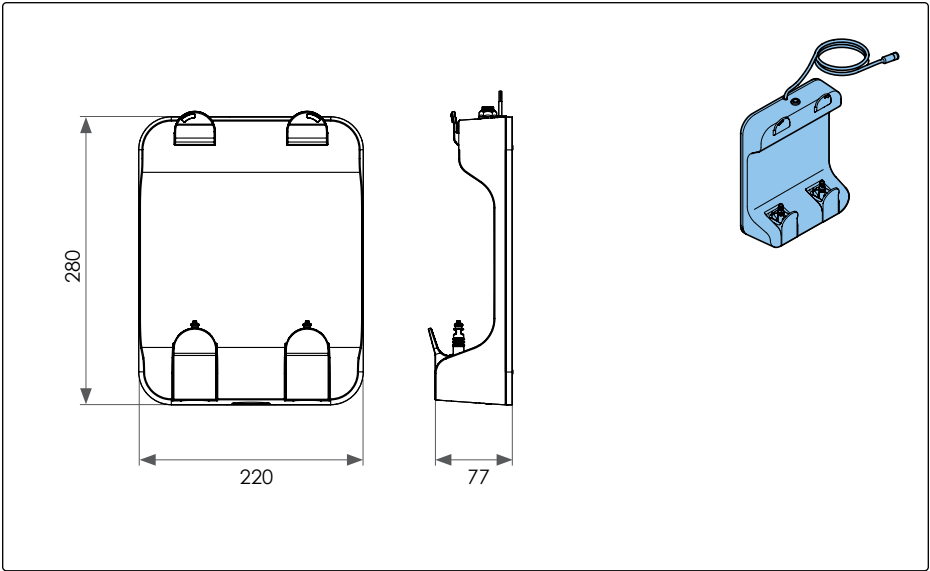
**EN | The flexible hoses should not be kinked, stretched or twisted.**  
**DE | Die Schläuche nicht verdrehen!**  
**NL | De flexibele aansluitslangen mogen niet worden geknikt, gebogen, uit elkaar worden getrokken of gedraaid.**



G01 - G04



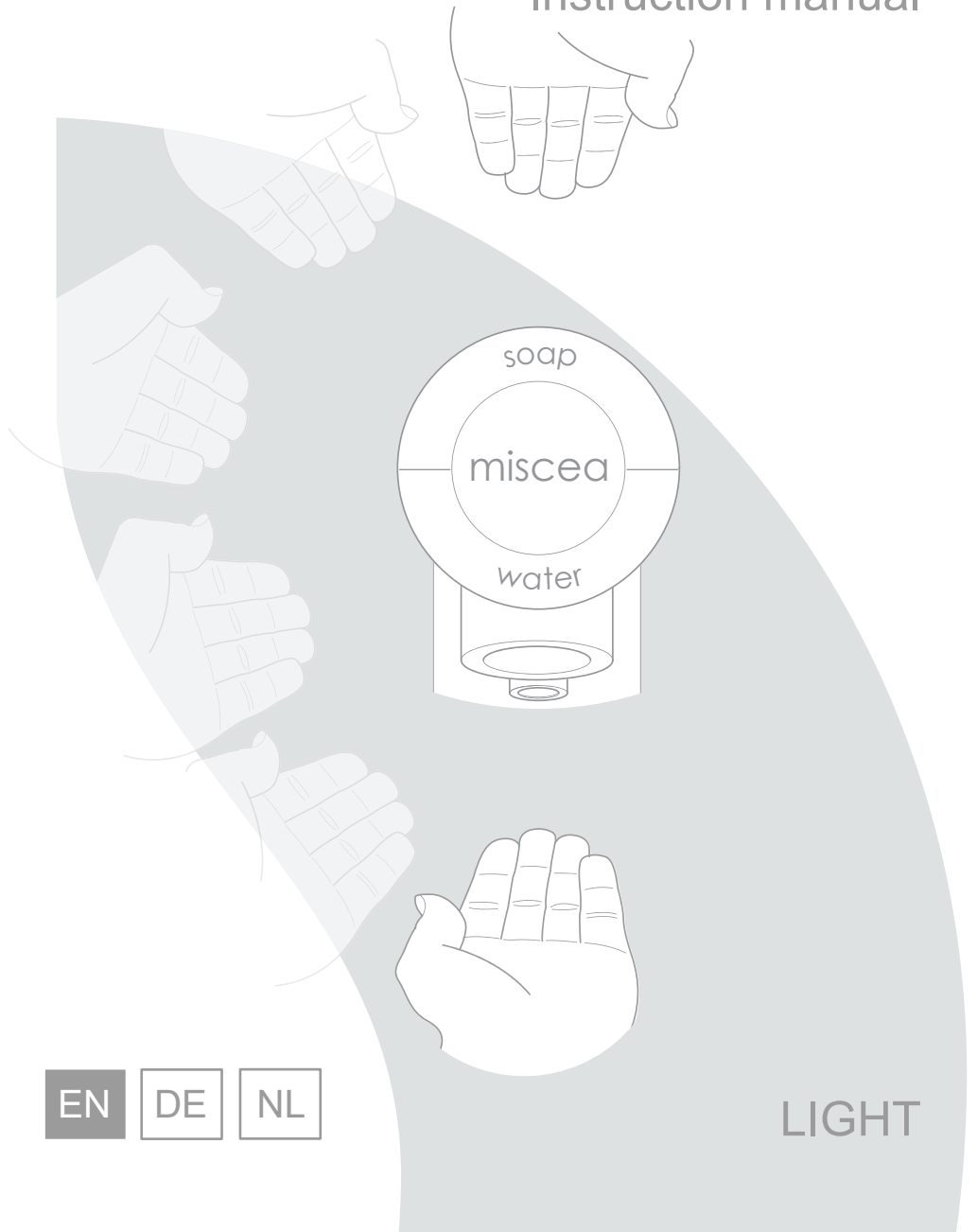
H01 - H02







## Instruction manual



EN

DE

NL

LIGHT



© 2022 miscea GmbH

No part of this publication may be reproduced, transmitted, transcribed, stored in any retrieval system or translated into any human or computer language by any means or in any form, without the prior written permission of miscea. Contravention of the owner's copyright may also reduce the ability of miscea to provide effective support for its equipment.

All technical information, data and instructions contained in this manual for operations that can and are to be performed, are up to date at the time of editing.

This manual contains our current knowledge and experience to the best of our understanding. We reserve the right to make technical modifications arising from further development of the miscea product presented in these operating instructions. For this reason, no claims may be derived from technical data, descriptions and illustrations.

miscea reserves the right to make changes without notice to both this manual and to its products described within this manual. Nothing in this manual represents any contractual or other commitment on the part of miscea and should not be taken as such. All possible care has been taken in the preparation of this publication. Contact miscea for suggestions of improvement. This manual is originally written in English. A copy is available on request.

Version: V22.01



## Table of contents

<b>1.</b>	<b>General</b>	<b>18</b>
1.1	About this manual	18
1.2	Labels in this manual	18
<b>2.</b>	<b>Package Contents</b>	<b>18</b>
<b>3.</b>	<b>Description</b>	<b>18</b>
3.1	Components	19
3.2	Identification of the product	19
3.3	Application areas	19
<b>4.</b>	<b>Installation</b>	<b>19</b>
4.1	Installing the system	20
<b>5.</b>	<b>Use</b>	<b>21</b>
5.1	Faucet head	21
5.2	Operating the system	21
5.3	Tapping water	21
5.4	Dispensing liquids	22
5.5	Use the remote control with miscea LIGHT system	22
5.6	Public-User Mode	23
<b>6.</b>	<b>Cleaning and maintenance</b>	<b>24</b>
6.1	Storage	24
6.2	Cleaning	24
6.3	Automatic spool cycle	25
6.4	Replacing the pouch	25
6.5	Priming the tubes	25
<b>7.</b>	<b>Refill Liquids Safety Information</b>	<b>26</b>
<b>8.</b>	<b>Technical Data</b>	<b>27</b>
8.1	Electrical Test Data	28
8.2	Electrical Specifications	28
8.3	Certifications and conformity	29
<b>9.</b>	<b>Warranty and information</b>	<b>30</b>
9.1	Warranty	30
9.2	Warranty conditions	30
9.3	Contact information	30
9.4	Updates of the manual	30
9.5	Environment and recycling	30
<b>10.</b>	<b>Service</b>	<b>31</b>

## 1. General

### 1.1 About this manual

This manual includes technical specifications, instructions and explanations that help to use the product safely. Read and understand these instructions before you transport, install, commission, restart, operate or perform maintenance on the product.

The illustrations, drawings and graphics in this manual may be different from the actual components. Contact your local supplier for questions that are not answered in this manual.

Keep this manual for future reference. Please pass these instructions on to the end user of the fitting!

### 1.2 Labels in this manual



#### **WARNING**

A warning means that injury or death is possible if the instructions are not followed.



#### **CAUTION**

A caution means that damage to the equipment is possible.



A note gives additional information, e.g. for a procedure.

## 2. Package Contents

Refer to fig. A and B for the identification of the package contents.

1. Faucet (1A or 1B)
2. Set of fasteners and seals (2A or 2B)
3. Power adapter
4. Instruction manual
5. \*Soap box (5a/b)
6. \*Mounting plate for soap box (pre-mounted to the soap box)
7. \*Refill Liquids

## 3. Description

The miscea LIGHT hand hygiene system enables you to wash your hands without touching the system. The faucet head has different sectors with built-in infrared sensors. The functions can be activated by moving your hands in the detection zones of the sensors.

The following faucet models are available (refer to fig. C)

- 1A. Standard model
- 1B. Wall mounted model

## 3. Description

### 3.1 Components

Refer to fig. C for the identification of the components.

1. Faucet (1A or 1B)
2. \*Soap box (5a/b)

\*Only available for models with integrated dispenser

### 3.2 Identification of the product

Refer to fig. C for the location of the product type labels.

### 3.3 Application areas

miscea systems can be used in conjunction with:

- Pressurized storage heaters
- Thermally controlled instantaneous heaters
- Hydraulically controlled instantaneous heaters

**Operation with low-pressure displacement water heaters is not possible.**

The miscea LIGHT is certified according to EN1717, and is equipped with a DIN-DVGW type tested back flow preventer.

## 4. Installation



### CAUTION

- Do not connect the faucet to a water supply that has no strainer. If you do, the warranty becomes void.
- Do not install hoses when the faucet is switched on or when the power adapter is connected.
- Do not hold any object close to the faucet head when the calibration is in progress. This can block the light and interfere with the calibration.
- Do not install or store the faucet in a location that has the risk of frost damage.
- Be careful with the power cable of the faucet and the soap box. The connector at the end of each cable is fragile.
- Make sure that the hoses for the liquids are correctly connected.
- Do not cut or kink the hoses.
- Only use the supplied materials to install the system. Only use the power adapter supplied with the system.
- Use only genuine replacement parts and accessories. The use of other parts will invalidate the warranty and CE marking and may result in personal injury.
- Avoid damage from defective power supply cables. In the case of damage, the plug-in power supply must be replaced by the manufacturer or his customer service or an equally qualified person.

## 4. Installation

- The enclosed plug-in power supply (plug type C) is only suitable for use with Schuko sockets (CEE 7/4).
- The miscea systems are only suitable for indoor use.
- Do not install if the product (power cord) is live.
- Make sure the surface on which the system is installed is strong enough to support the weight of the unit.
- Do not scratch, damage, manipulate, bend, twist or bundle the power cord, or place heavy objects on it or pinch it.
- Do not disassemble or modify the unit, which is not specifically described in this manual. This could result in fire, electric shock or injury.
- Do not use the system in a hot place, such as a shower where condensation may form on the appliance, or where water may spatter directly onto the appliance. This could result in fire, electric shock, or a malfunction.
- Use single-phase power with 220-240V.
- The miscea LIGHT system components must be protected against mechanical damages, like heat and direct sunlight (maximum temperature is 50 degrees Celsius). Do not place near heat sources or open fire.



### CAUTION

Care must be taken that the system components are easily accessible for maintenance work.

- The screen seals that are fitted to the valve must be installed in order to prevent dirt from the pipeline.
- Open cold and hot water supply and check connections for leaks

### 4.1 Installing the system



### CAUTION

- Flush the water supply system thoroughly before installing the system (Observe DIN 1988 / DIN EN 806!). Be sure that the water supply is absolutely clean. Dirt and debris in the water can impair the function and / or damage the functional parts of the electrical appliance, miscea is not responsible for damages of this nature.



Install a shut-off valve between the water supply and the system. In case of maintenance or repair work to the system, the shut-off valve can be closed and it will not be necessary to shut off the water supply system.

- Refer to fig. C - G for the installation of the system. Assemble the system in the given order.



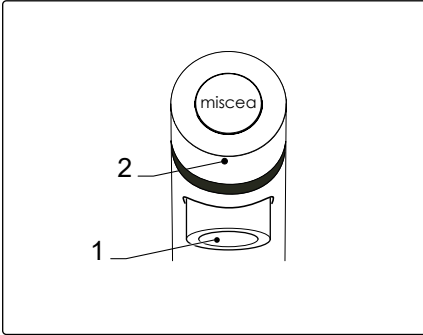
### CAUTION

- Make sure that the installation procedure is correctly executed before you use the faucet.
- Only use liquids and pouches that are approved by miscea.
- This device is not intended for use by persons (including children) with limited physical, sensory or mental abilities, as well as lack of experience and knowledge.
- Children must be supervised to ensure that they do not play with the appliance

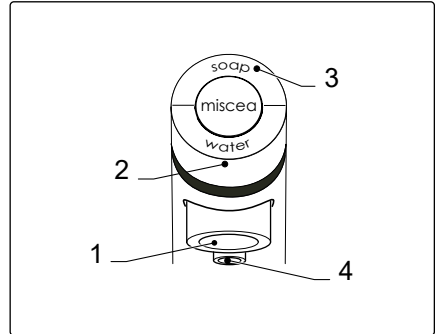
## 5. Use

### 5.1 Faucet head

1. Water outlet
2. Water tap sector



1. Water outlet
2. Water tap sector
3. Soap dispense sector
4. Soap outlet



### 5.2 Operating the system

Once the system has been connected to the mains power supply, the power is on. To indicate that the system is operational, the faucet head shows a pulsating white light.

#### Activating a sector

- To activate the water tap sector, hold your hand to a maximum of 15 cm distance from the sector.
- To activate any other sector, hold your hand to a maximum of 5 cm distance from the sector.

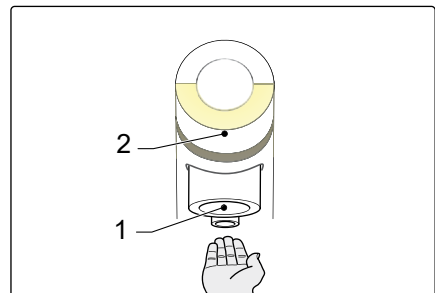
#### De-activating a sector

- Remove your hand away from the sector.
- In addition, you can quickly de-activate the dispense sectors by repeating the movement of the hand as described above.

### 5.3 Tapping water

#### Washing hands

- Activate sector 2 and hold your hand under the water outlet.
- The water flow stops automatically 1 second after you have pulled your hand away from the water stream.



## 5. Use



### CAUTION

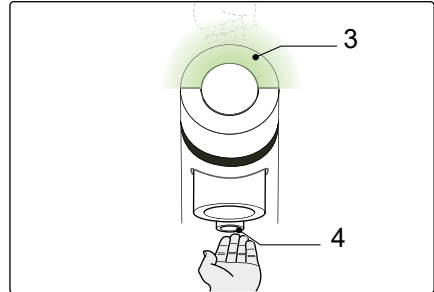
Always check the temperature before you place your hands in the water stream. Risk of burning your hands due to hot water.

### 5.4 \*Dispensing liquids

#### Dispensing soap

- Activate sector 3. The sector shows a pulsating green light.
- Hold your hand under outlet 4.

\*Only available for models with integrated dispenser



### 5.5 Use the remote control with miscea LIGHT systems

With the remote control, you can change the default settings of the system. Basic settings include, but are not limited to the following: dosage, spool cycle, light pulse and resetting. There are also a number of special functionalities and settings which have to be enabled with the remote control in order to use with certain miscea accessories, such as:

- hand washing timer
- standby mode
- public-user mode
- automatic water stagnation flush at power on
- end point filter mode
- in line flow heater mode

For further information and instructions, please visit the download page on our website or contact your miscea representative. The remote control works through the IR sensors of sector (3). Position the remote control over the IR ring as shown in fig. I and J below. Then the desired settings can be changed. For instructions on how to change specific settings using the remote control, please refer to the miscea Remote Control instruction manual.

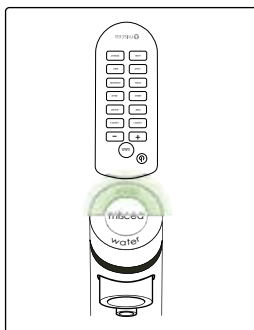


Fig. I

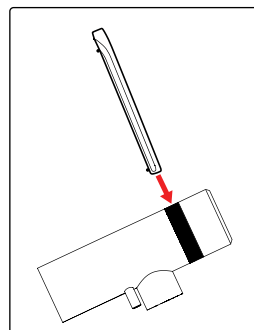


Fig. J

## 5. Use

### 5.6 Public-User Mode



This user mode is available with miscea LIGHT models from version V1.22 onwards. Version numbers can be identified by checking the label on the faucet as shown in Fig. C.



The Public-User Mode can be enabled using the miscea remote control. For instructions on how to enable and disable the Public-User Mode, please refer to the miscea Remote Control instruction manual.

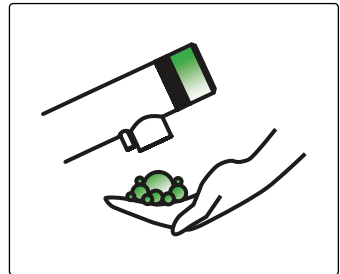
The miscea LIGHT has a user mode for simplified use in public settings called the 'Public-User Mode'. In this mode, the faucet uses only the lower sensor sector. When the system is idle and the lower sensor sector is activated, the faucet will initiate the Public-User Mode 3 step cycle in the following order:

#### 1. Dispensing soap

The soap sector will be activated. This is indicated by showing a green light in the top sector. The faucet will dispense soap and pause for \*1 second.

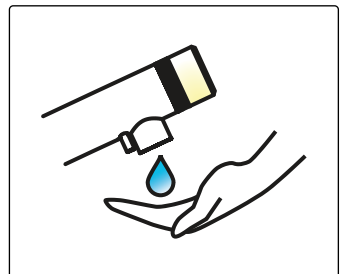


Times marked with \* are default time settings and can be adjusted as desired using the miscea remote control. An overview of all possible time settings is indicated in the miscea remote control manual.



#### 2. First water cycle

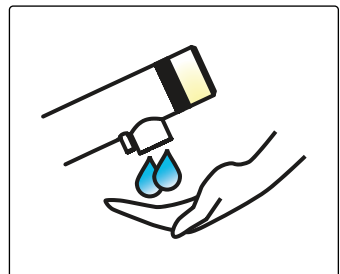
Directly after this, the faucet will automatically activate the water sector (indicated by showing a white light in the bottom sector) and dispense a small amount of water for \*0.5 seconds to let the user know that the water sector is now activated and enable the user to wet their hands.



#### 3. Second water cycle

After this, the water sector will stay activated (indicated by showing a white light in the bottom sector) for a duration of \*10 seconds to allow the user to rinse their hands.

As long as the water sector stays illuminated, the user can place their hands under the water outlet to receive water as many times as needed. After this time frame, the water sector will deactivate and the system will wait for the lower sensor sector to be activated again.



## 6. Cleaning and maintenance



### CAUTION

- Do not try to repair the faucet or the soap box yourself. Only qualified miscea personnel are qualified to make repairs. If you make repairs yourself, the warranty becomes void.
- Do not clean the faucet with abrasives, strong acids or bleach products. If you do, the warranty becomes void.
- When cleaning, do not spray the device or plug directly or indirectly with water.
- The use of the wrong detergent may e.g. Cause stress cracking in the material. These cracks can ultimately lead to breakage of the material.
- For thorough cleaning, we recommend using a non-abrasive detergent that is specifically designed to clean polycarbonate / Makrolon.
- Razor blades or other sharp tools, abrasive or strongly alkaline detergents or solvents must not be used.
- Solvents and chemicals such as acetone, benzene, cleaning benzine or carbon tetrachloride, color diluent or alcohol compounds containing more than 5% alcohol may attack the surface.



### WARNING

Do not clean the system when it is switched on.

#### 6.1 Storage

- Store the system in a dry place, out of reach of children.

#### 6.2 Cleaning

To ensure hygienic operation of your miscea system, we recommend performing a manual service by following the procedures set out in the miscea SystemCare Set. All the necessary cleaning tools and required parts are provided in the miscea SystemCare Set and can be ordered from your local miscea representative. This can be ordered from your miscea dealer using the following article numbers:

S02056001 - miscea SystemCare Set (pouch) | S02057001 - miscea SystemCare Set (bottle)

A detailed user guide is included in every miscea SystemCare Set. It can also be downloaded from the miscea website: [www.miscea.com](http://www.miscea.com). We recommend performing this procedure each time the liquid products are replaced. For a general cleaning of the surfaces of the miscea system, please note the following:

- Clean the system with a soft, clean cloth, water and a mild cleaning product.
- To remove dirt or scale:
  - Let white vinegar or all-purpose cleaner act on the system for a few minutes.
  - Wash the system with plenty of water.
  - Dry the system.
- Clean the water box and the soap box with a damp cloth.

To maintain the finish quality of your miscea system, the following notes must be observed: chrome, brushed stainless steel surface, chrome-matt and color-coated surfaces are sensitive to acid and abrasive detergents and sponges. If soiled or calcified, clean the fittings with soapy water or dilute a mild cleaning solution such as vinegar, rinse with clean water and dry. Damage caused by improper handling is not covered by the miscea warranty.



## 6. Cleaning and maintenance

### 6.3 Automatic spool cycle

The automatic spool function is designed to prevent clogging of the soap tubes and to prevent the waterline from being infected by Legionella and other waterborne bacteria. The automatic spool function will initiate after a minimum amount of time the soap has not been in use. This has been set by default at 2 weeks.

If the soap has not been in use for 2 weeks, the system will perform the following steps on the liquid that was last used 2 weeks ago:

- Step 1: The soap pump will operate for 30 seconds
- Step 2: Cold water flows for 60 seconds

Note: It is possible to change the frequency of the auto spool function for more frequent water flushing, however it is not possible to change the frequency of the auto spool function for soap flushing.

### 6.4 \*Replacing the pouch / bottle

Once the system does not dispense soap anymore, the pouch / bottle needs to be replaced.

- Refer to fig. G for the correct installation of the pouch.

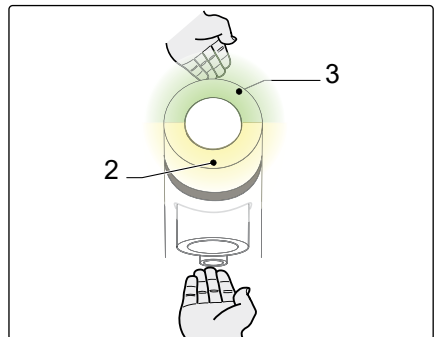
\*Only available for models with integrated dispenser

### 6.5 \*Priming the tubes

After installation of the pouches and connecting the power, the tubes need to be primed for the first time. The prime functions can be activated during the first 5 minutes of power on. When the procedure has been completed, the tubes are clean and free of air bubbles.

- To prime the soap tube: Activate sectors 2 & 3 at the same time immediately after turning on the power.
- Keep hands over sectors 2 & 3. The prime mode will activate after 2 seconds. Keep sectors 2 & 3 activated until soap is dispensed from the soap outlet.

\*Only available for models with integrated dispenser



## 7. Refill Liquid Safety Information

### Specific end use(s)

If using miscea systems together with liquid refills not provided by miscea, please take note of the chemical compatibility information and recommendations in the External Liquids Information Flyer. Skin and hand disinfectant products may not be used for any other purpose.

### Precautions for safe handling

- Disinfectant is a flammable medium as a liquid as well as a vapor. Vapors may form explosive mixture with air.
- Keep away from heat, hot surfaces, sparks, open flames and other ignition sources.
- When using, do not eat, drink or smoke.
- Keep out of reach of children
- Remove and wash contaminated clothes before re-use.
- Do not breath vapours or spray mist.
- Avoid contact with eyes.
- Ensure adequate ventilation, especially in confined areas.
- Special precautions for user: Take the usual precautions when handling chemicals.

### Conditions for safe storage, including any incompatibilities

- Disinfectant is classified as a dangerous good. Store liquids according to local storage regulations for dangerous goods.
- Keep container tightly closed in a dry, cool and well-ventilated place.
- Dispose of contents/containers in accordance with local and national regulations. Do not discharge into surface waters/groundwater.
- Keep product and empty container away from heat and sources of ignition.
- Keep away from food, drink and animal feeding stuffs.
- Incompatible with oxidizing agents.

**The following is general first aid information. Most important symptoms and effects, both acute and delayed.**

- Causes serious eye irritation.
- May cause drowsiness or dizziness.
- Remove contaminated soaked clothing immediately.
- If you feel unwell, seek medical advice.

### After inhalation

- Move to fresh air in case of accidental inhalation of vapors.
- In the event of symptoms refer for medical treatment.

### After contact with eyes

- Rinse immediately and cautiously with plenty of water, also under the eyelids, for at least 15 minutes. Remove contact lenses, if present and easy to do so.
- If eye irritation persists, consult a specialist.

## 7. Refill Liquid Safety Information

### After ingestion

- Immediately give plenty of water (if possible charcoal slurry).
- Summon a doctor immediately.
- Induce vomiting only upon the advice of a physician.

## 8. Technical data

The performance specifications as mentioned in the table below have been tested and certified.

### PERFORMANCE SPECIFICATIONS

Parameter	Value
Voltage	12 V <sub>DC</sub>
Input voltage	100 ~ 240 V <sub>AC</sub> / 50 ~ 60 Hz
Operating water pressure	0,5 - 8 bar
Max. water temperature	70 °C
Enclosure rating of PCB compartments	IP 55
Faucet weight (incl. hoses and cable)	Standard model: 1,0 kg Wall-mounted model: 0,9 kg
Soap box weight (excl. pouches)	0,95 kg

### DEFAULT SETTINGS

Parameter	Value
Response time of water flow stop	2 s
Dispense volume of soap	1 ml
Automatic spool cycle	2 weeks

### TRANSPORT & STORAGE

Parameter	Value
Transport weight	Standard model: 3 - 5 kg Wall-mounted model: 3 - 5 kg
Dimensions packaging	40 cm x 30 cm x 20 cm
Storage temperature	10 - 50 °C

### DIMENSIONS

Component	Value
Faucet Standard model	Fig. H1
Faucet Wall-mount model	Fig. H2
*Soap box	Fig. H3 / H4

\*Only available for models with integrated dispenser

## 8. Technical data

### 8.1 Electrical test Data

Rated shock voltage: 2000 V

The test for electromagnetic compatibility (interference emission test) was carried out with the rated voltage and the rated current.

### 8.2 Electrical Specifications

---

Connection	wall socket with protective conductor, protected by a 10 A fuse.
Max. Power consumption	36 W
Standby power dissipation	< 3.0 W
Test pressure of the valve	16 bar
Flow at 3 bar flow pressure. Tap (tap water)	6 L / min
Ambient temperature	10 - 40 °C temperature
Hot water inlet fitting	70 °C
Recommended (energy saving)	60 °C
Water connection fitting	cold - blue, warm - red

---

## 8. Technical data

### 8.3 Certifications and Conformity



Declaration of conformity  
EU-Richtlinien 93/68/EEC, 98/83/EC, 2006/95/EC, 89/336/EEC

Michiel Ubink, Managing Director of miscea GmbH, headquartered in Hauptstraße 2, 14979 Großbeeren, Germany hereby declares that the multifunctional faucet product family, known under the brand name miscea, is designed and manufactured in accordance with EU Directives (93/68 / EEC, 98/83 / EC, 2006/95 / EC, 89/336 / EEC) And in accordance with the following European standards.

Model numbers:

CCR1S1NCDE	CCR2S2NCEN	CER2S1NCEN	CER3S2NCFR	LCR1S12NBDE
CCR1S1NCEN	CCR2S2NCFR	CER2S1NCFR	KCR4S1NC	LCR1S12NCDE
CCR1S1NCFR	CCR3S1NCDE	CER2S2NCDE	KCR4S1NC0	LCR3S0NC
CCR1S2NCDE	CER1S1NCDE	CER2S2NCEN	KCR4S2NC	LCR3S11NCDE
CCR1S2NCEN	CER1S1NCEN	CER2S2NCFR	KCR4S2NC0	LCR3S11NCEN
CCR1S2NCFR	CER1S1NCFR	CER3S1NCDE	LCR1S0NB	LCR3S12NCDE
CCR2S1NCDE	CER1S2NCDE	CER3S1NCEN	LCR1S0NC	LER1S11NCDE
CCR2S1NCEN	CER1S2NCEN	CER3S1NCFR	LCR1S11NBEN	
CCR2S1NCFR	CER1S2NCFR	CER3S2NCDE	LCR1S11NCDE	
CCR2S2NCDE	CER2S1NCDE	CER3S2NCEN	LCR1S11NCEN	

Applied standards:

- EN 15091: 2013
- EN 60335-1: 2012
- EN 61000-6-1: 2007 and EN 61000-6-3: 2011
- EN 1717: 2011
- EN ISO 3822: 2010

All miscea fittings are certified according to WRAS guidelines and thus comply with the above standards.



Germany, January, 2022.

Michiel Ubink  
Managing Director

The declarations of conformity can be requested at the following address:  
miscea GmbH | Hauptstr. 2, D-14979 Grossbeeren, Germany.

## 9. Warranty and information

### 9.1 Warranty

The warranty period is 2 years from the date of purchase documented on the purchase receipt. If the faucet needs repairing, contact your miscea dealer.

### 9.2 Warranty conditions

The warranty becomes void if you perform any of the following:

- Connect the faucet to a water supply that has no strainer.
- Change, repair or replace the spouts of the soap box.
- Clean the faucet with abrasives, strong acids or bleach products.
- Repair the faucet or the soap box yourself.

In addition, miscea refers to the miscea Sales and Delivery conditions regarding the applicable warranty conditions.

### 9.3 Contact information

For questions about where to buy our products or questions concerning the use or installation: please visit our website for the miscea representative in your country.

### 9.4 Updates of the manual

We update this manual regularly. If you want to have the latest version of this manual, you can download a copy from [www.miscea.com](http://www.miscea.com) or send your request to [info@miscea.com](mailto:info@miscea.com).

### 9.5 Environment and recycling

The miscea LIGHT is an electrical appliance for which return and collection obligations apply in many countries. miscea is involved in appropriate return systems in Germany.



Your miscea product has been designed and manufactured using high-quality materials and components that are suitable for recycling and / or re-use. This symbol means that electrical and electronic devices as well as batteries and accumulators must be disposed of separately from household waste at the end of their useful life.

## 10. Service

### Service

To resolve problems, follow the table error / cause / solution. In the case of maintenance work on the system, the power supply must first be switched off!

If the problem cannot be solved, disconnect the power supply. Write the serial number of the faucet and contact a qualified installer or contact miscea by email at [berlin@miscea.com](mailto:berlin@miscea.com).

The table below provides helpful hints and solutions for troubleshooting the miscea LIGHT System as well as scenarios for possible hardware and software problems.

### Before contacting miscea Technical Support

If you are having problems with your miscea LIGHT System try the appropriate solutions below to isolate the exact problem before contacting miscea GmbH for further technical support.

1. Check the system is plugged into a working electrical outlet and switched on.
2. Check the system is connected to the mains water supply and the water supply is turned on.
3. Check the pouches containing the liquid hand products are installed and not empty.
4. Check all cable and tubing connections for loose connections or incorrect connections. Please refer to appropriate manual for correct installation procedures.

### Solving General Problems

You may be able to easily resolve general problems described in this section. If a problem persists and you are unable to resolve it yourself or if you feel uncomfortable about performing the operation, please contact your nearest miscea technical support.

#### WATER RELATED PROBLEMS

Symptoms Experienced	Possible Problem or Cause	Solution
<ul style="list-style-type: none"> <li>• The water won't stop.</li> </ul>	There is an issue with the solenoid valve.	Disconnect the miscea system from the power point. After 10 seconds, reconnect the miscea system to the power point. This should reset the system and resolve any minor system glitches. If the problem persists, please contact miscea GmbH for further technical assistance.

## 10. Service

### WATER RELATED PROBLEMS

Symptoms Experienced	Possible Problem or Cause	Solution
<ul style="list-style-type: none"> <li>The water runs after connecting to the power supply</li> </ul>	<p>The system begins the calibration process and dispenses water immediately after connecting the system to the power supply.</p> <p>There is an issue with the solenoid valve located inside the faucet.</p>	<p>Please wait until the system has calibrated and the water stops. This should not take longer than 30 seconds.</p> <p>Disconnect the miscea system from the power point. After 10 seconds, reconnect the miscea system to the power point. This should reset the system and resolve any minor system glitches.</p> <p>If the problem persists, please contact miscea GmbH for further technical assistance.</p>
<ul style="list-style-type: none"> <li>The faucet is not dispensing hot water.</li> <li>The faucet is not dispensing cold water.</li> <li>Only one water temperature is dispensed. Not able to change water to hot or cold.</li> </ul>	<p>It is not possible to change the temperature on the miscea LIGHT unless an additional thermostatic valve is used.</p>	<p>Install an additional thermostatic valve (miscea article number S02032001) to be able to adjust the water temperature.</p> <p>If the problem persists, please contact miscea GmbH for further technical assistance.</p>
<ul style="list-style-type: none"> <li>The faucet is not dispensing water.</li> </ul>	<p>The system is not plugged into a working power point.</p> <p>The mains water supply is not set to open.</p> <p>The shut off valve (if available) is not set to open.</p> <p>An issue with one or more of the components in the faucet.</p>	<p>Check the system is plugged into a working power point and switched on.</p> <p>Check the mains water supply is set to open.</p> <p>Check the shut off valve (if available) is set to open.</p> <p>Check all cable and tubing connections for loose connections or incorrect connections. Please refer to the relevant pages of manual for correct installation procedure.</p> <p>Disconnect the miscea system from the power point. After 10 seconds, reconnect the miscea system to the power point. This should reset the system and resolve any minor system glitches.</p> <p>If the problem persists, please contact miscea GmbH for further technical assistance.</p>



## 10. Service

### WATER RELATED PROBLEMS

Symptoms Experienced	Possible Problem or Cause	Solution
<ul style="list-style-type: none"> <li>The faucet is leaking/dripping water.</li> </ul>	<p>If newly installed, the mains water supply was not flushed thoroughly enough before installation, resulting to dirt particles entering the system causing problems with components inside the system.</p>	<p>Disconnect the miscea system from the power point. After 10 seconds, reconnect the miscea system to the power point. This should reset the system and resolve any minor system glitches.</p> <p>Flush the faucet by letting the water run for a few minutes. If the problem persists, please contact miscea GmbH for further technical assistance.</p>
<ul style="list-style-type: none"> <li>The faucet is dispensing water on its own (ghost water)</li> </ul>	<p>The sensor in the sector is dirty. Issue with sensors in faucet head. Possible environmental factors such as bright light or super reflective surfaces affecting the sensors.</p>	<p>Switch the faucet off, and clean the sensor ring in the sector with a damp cloth.</p> <p>If problem persists, please contact miscea GmbH for further technical support.</p>
<ul style="list-style-type: none"> <li>The water stream is very weak.</li> </ul>	<p>The mains water supply is not completely set to open.</p> <p>The shut off valve (if available) is not completely set to open.</p>	<p>Check the mains water supply is set to completely open.</p> <p>Check the shut off valve (if available) is set to completely open.</p> <p>If the problem persists, please contact miscea GmbH for further technical assistance.</p>

### SOAP/DISINFECTANT/LOTION RELATED PROBLEMS

Symptoms Experienced	Possible Problem or Cause	Solution
<ul style="list-style-type: none"> <li>Only a small amount of soap / disinfectant / lotion is dispensed.</li> </ul>	<p>The pre-selected amount of dispensed liquid is to high/low.</p>	<p>You can adjust the amount of dispensed liquid with the remote control.</p>
<ul style="list-style-type: none"> <li>Too much soap / disinfectant / lotion is dispensed.</li> </ul>		<p>Contact miscea GmbH for further technical assistance.</p>

## 10. Service

### SOAP/DISINFECTANT/LOTION RELATED PROBLEMS

Symptoms Experienced	Possible Problem or Cause	Solution
<ul style="list-style-type: none"> <li>The soap/disinfectant/lotion won't dispense.</li> </ul>	The system is not plugged into a working power point.	Check the system is plugged into a working power point and switched on.
<ul style="list-style-type: none"> <li>The soap/disinfectant/lotion dispenses with sputters.</li> </ul>	The cables and tubing may have not been connected correctly.	Check all cable and tubing connections for loose connections or incorrect connections. Please refer to the relevant pages of the manual for correct installation procedures.
<ul style="list-style-type: none"> <li>The soap/disinfectant/lotion sometimes dispenses and others not.</li> </ul>	<p>The soap/disinfectant/lotion pouches may have not been secured correctly.</p> <p>The soap and disinfectant sectors have not been primed, or the liquid hoses contain air.</p> <p>The liquid outlet is clogged</p>	<p>Check soap/disinfectant/lotion pouches are secured correctly. Please refer to user manual.</p> <p>Prime/bleed the soap/disinfectant/lotion. Please refer to the relevant pages of user manual.</p> <p>Switch off the system and clean the liquid outlet with a damp cloth.</p> <p>If the problem persists, please contact miscea GmbH for further technical assistance.</p>
	<p>Possible issue with pump components in soap-box.</p> <p>Soap/Disinfectant/Lotion tubes are blocked/damaged.</p>	<p>Disconnect the miscea system from the power point. After 10 seconds, reconnect the miscea system to the power point. This should reset the system and resolve any minor system glitches.</p> <p>If the problem persists, please contact miscea GmbH for further technical assistance.</p>

## 10. Service

### OTHER PROBLEMS

Symptoms Experienced	Possible Problem or Cause	Solution
<ul style="list-style-type: none"> <li>Faucet not reacting to anything for a long period of time.</li> </ul>	<p>The system is not plugged into a working power point.</p> <p>Possible problem with electronics in faucet head.</p>	<p>Check the system is plugged into a working power point and switched on.</p> <p>Disconnect the miscea system from the power point. After 10 seconds, reconnect the miscea system to the power point. This should reset the system and resolve any minor system glitches.</p> <p>If the problem persists, please contact miscea GmbH for further technical assistance.</p>
<ul style="list-style-type: none"> <li>A sector does not light properly when activated.</li> </ul>	<p>The sector is dirty.</p> <p>The LED of the sector is broken.</p>	<p>Switch the faucet off, and clean the sector with a damp cloth.</p> <p>If the problem persists, please contact miscea GmbH for further technical assistance.</p>
<ul style="list-style-type: none"> <li>Faucet does not respond to remote control.</li> </ul>	<p>The software version is outdated.</p>	<p>Check the software version of the miscea LIGHT. The required information is printed on the serial number label. Software version v0.14 or higher is compatible with the miscea remote control.</p> <p>If the problem persists, please contact miscea GmbH for further technical assistance.</p>
	<p>Position of remote control is incorrect.</p>	<p>Be sure to hold the remote control in the right position to the faucet head. Please refer to the relevant pages of the user manual.</p>

